

4

3

2

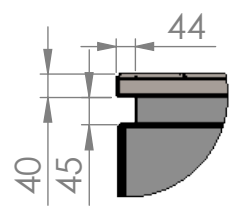
1

B

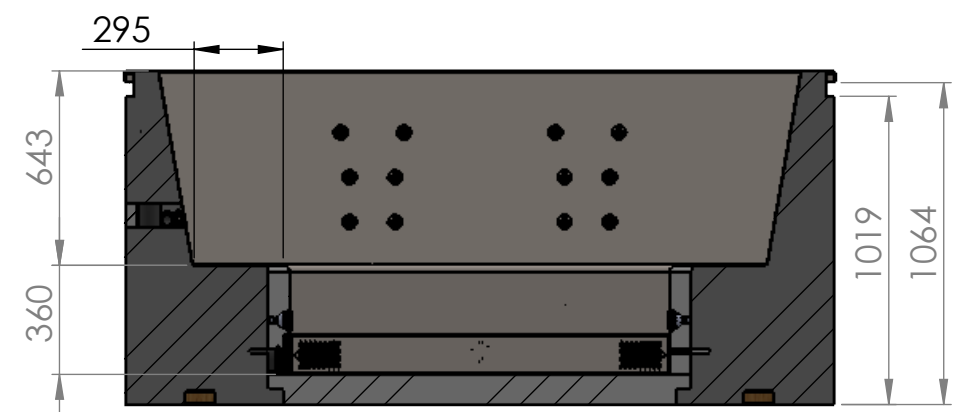
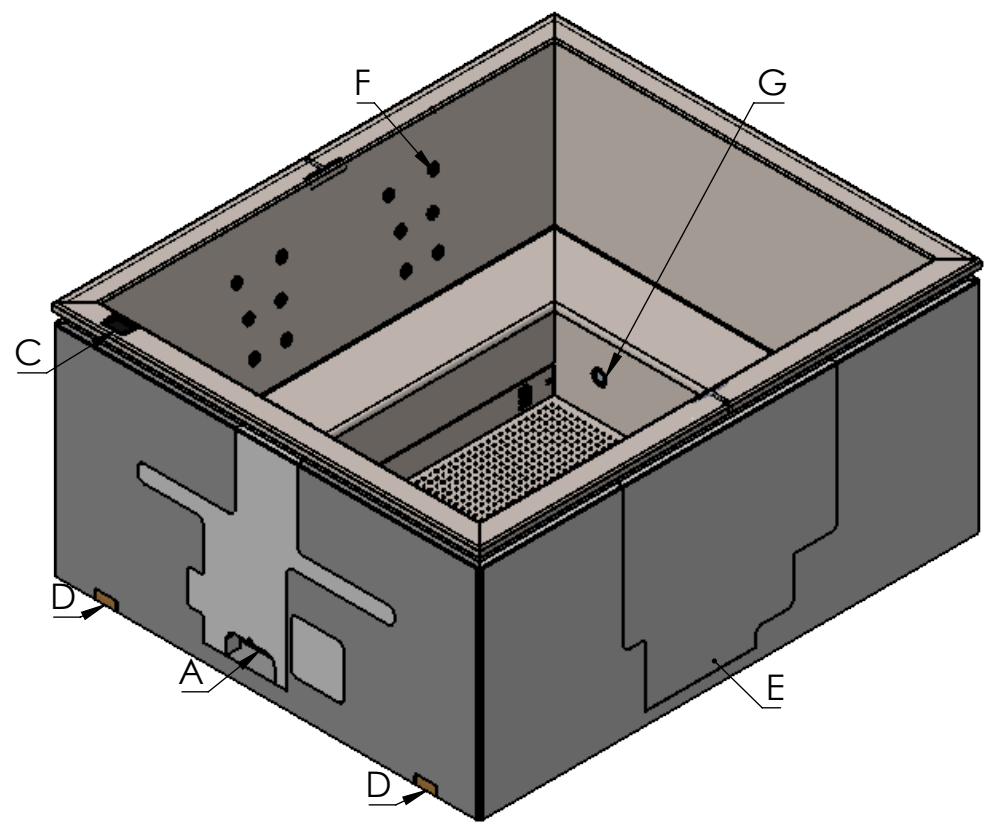
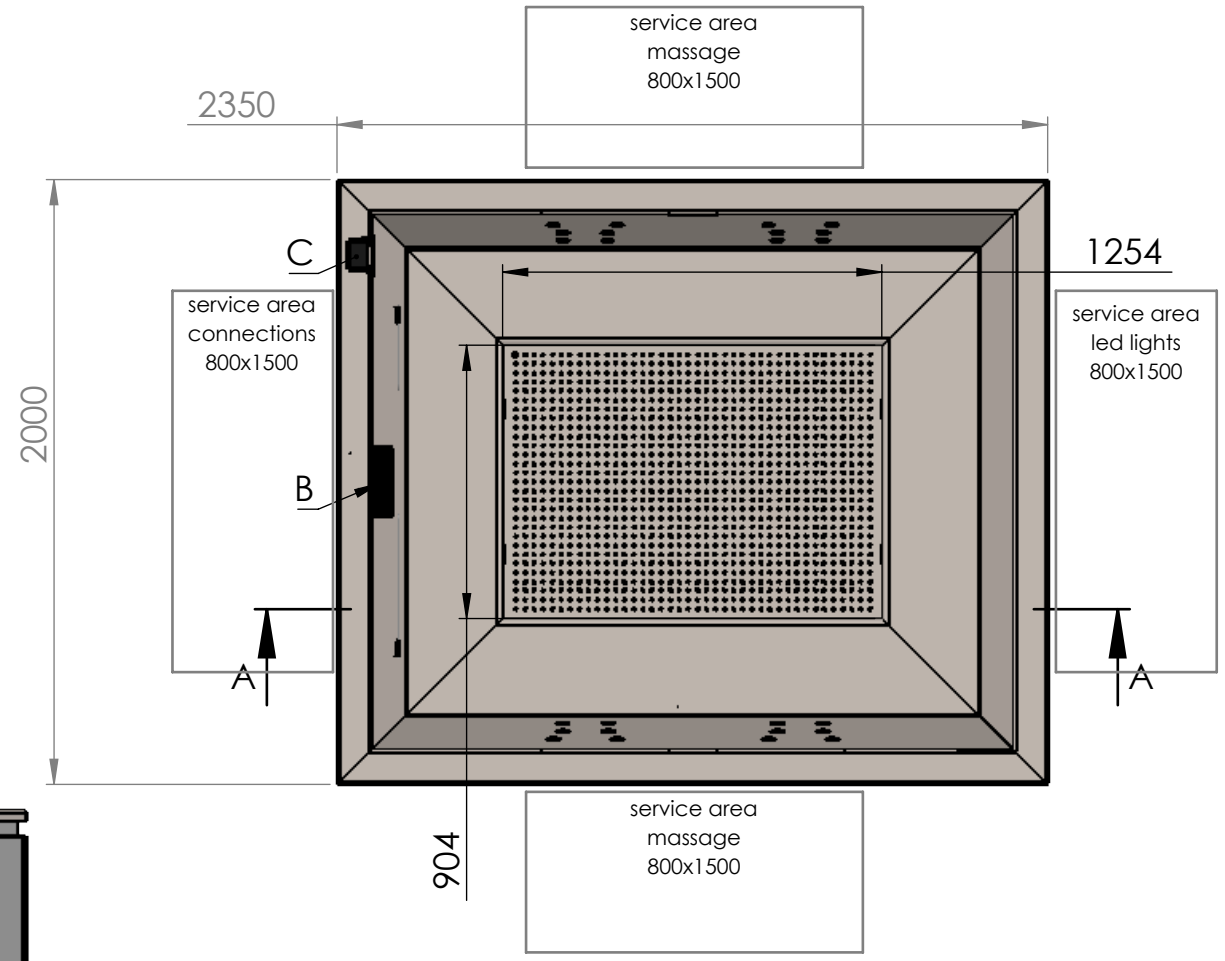
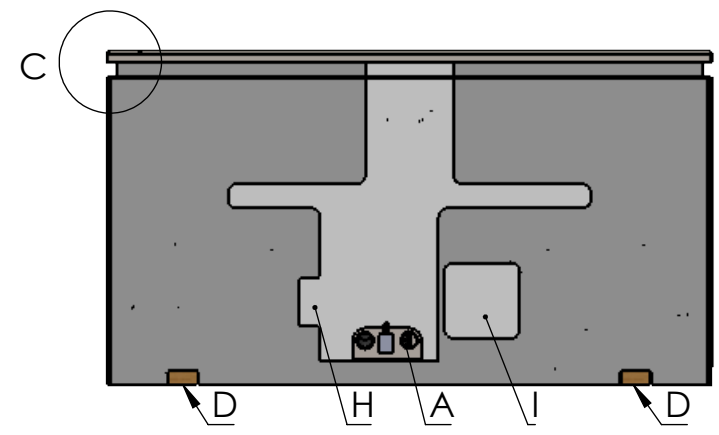
B

A

A



DETAIL C
SCALE 2 : 25



SECTION A-A
SCALE 1 : 25

- A = connections to filtrationsystem
- B = skimmer
- C = digital display
- D = lifting beams
- E = cover for massage
- F = massagesystem 6 nozzles/seat
- G = Elsy Slim LED 4pcs
- H = cover for connection side
- I = cover for Slim LED

ELSY spas

description: Integra 2000x2400 4 massage

weigth: 300kg water volume: 2550L

seating capacity: 10 people

PROPRIETARY AND CONFIDENTIAL
THE INFORMATION CONTAINED IN THIS DRAWING IS THE SOLE PROPERTY OF ELSY SPAS. ANY REPRODUCTION IN PART OR AS A WHOLE WITHOUT THE WRITTEN PERMISSION OF ELSY SPAS IS PROHIBITED.

4

3

2

1