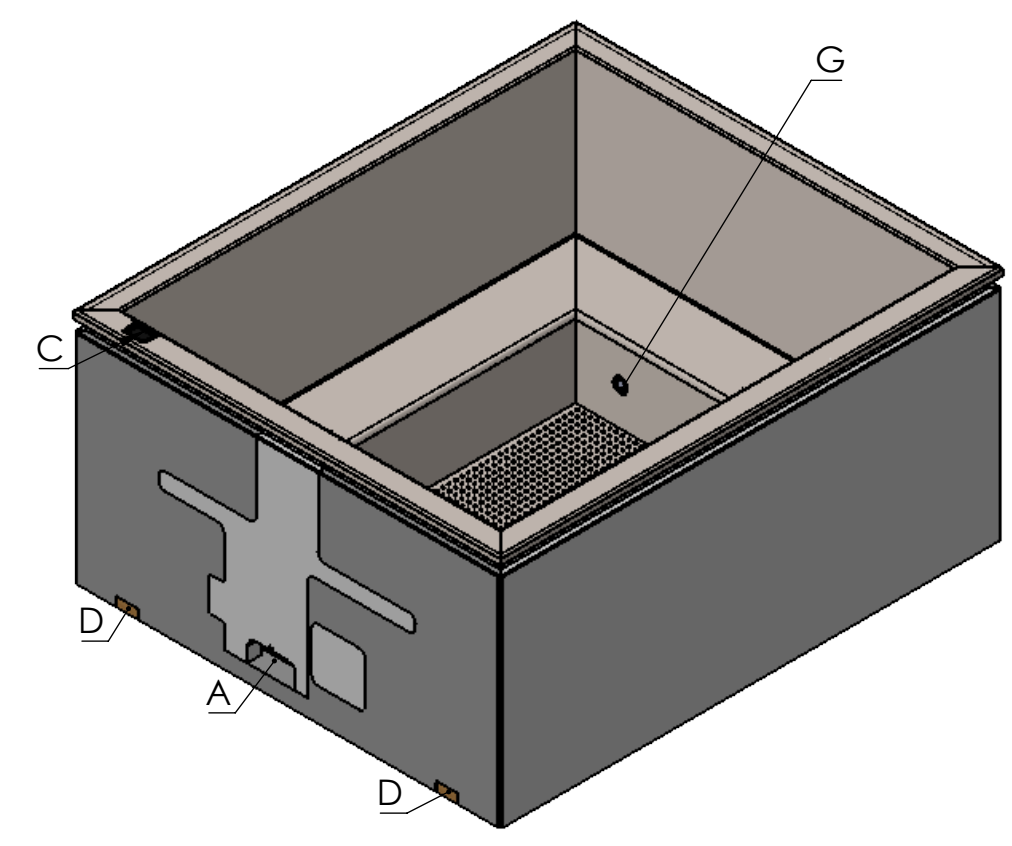
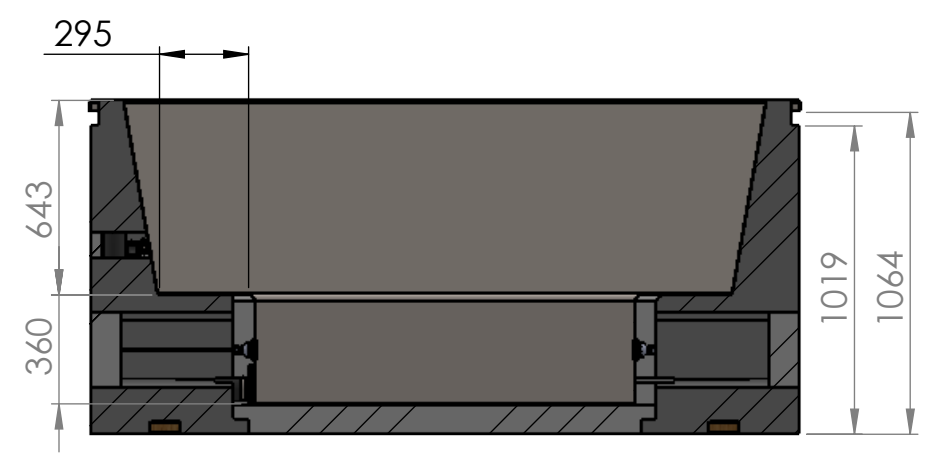
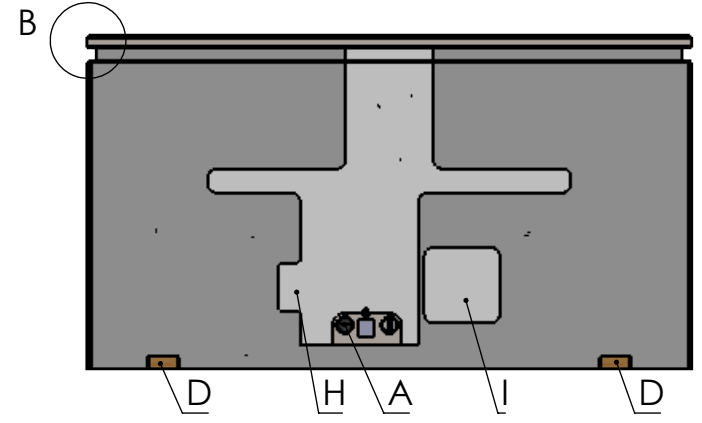
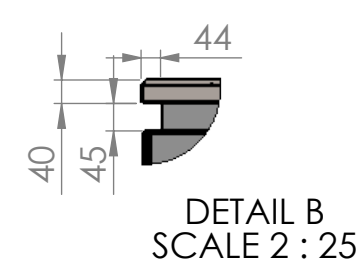
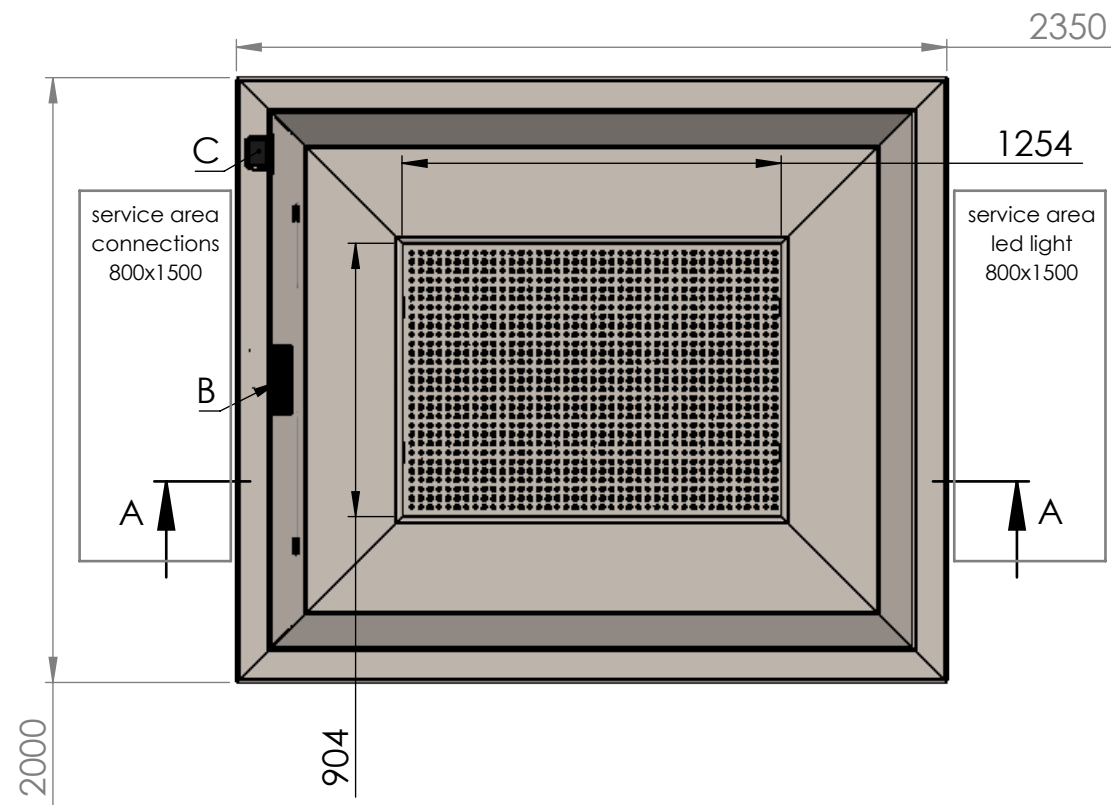


4

3

2

1



- A = connections to filtrationsystem
- B = skimmer
- C = digital display
- D = lifting beams
- G = Elsy Slim LED 4pcs
- H = cover for connection side
- I = cover for Slim LED

# ELSY spas

description:		Integra 2000x2400	
weigh:	270kg	water volume:	2550L
seating capacity:		10 people	

**PROPRIETARY AND CONFIDENTIAL**  
THE INFORMATION CONTAINED IN THIS DRAWING IS THE SOLE PROPERTY OF ELSY SPAS. ANY REPRODUCTION IN PART OR AS A WHOLE WITHOUT THE WRITTEN PERMISSION OF ELSY SPAS IS PROHIBITED.

4

3

2

1