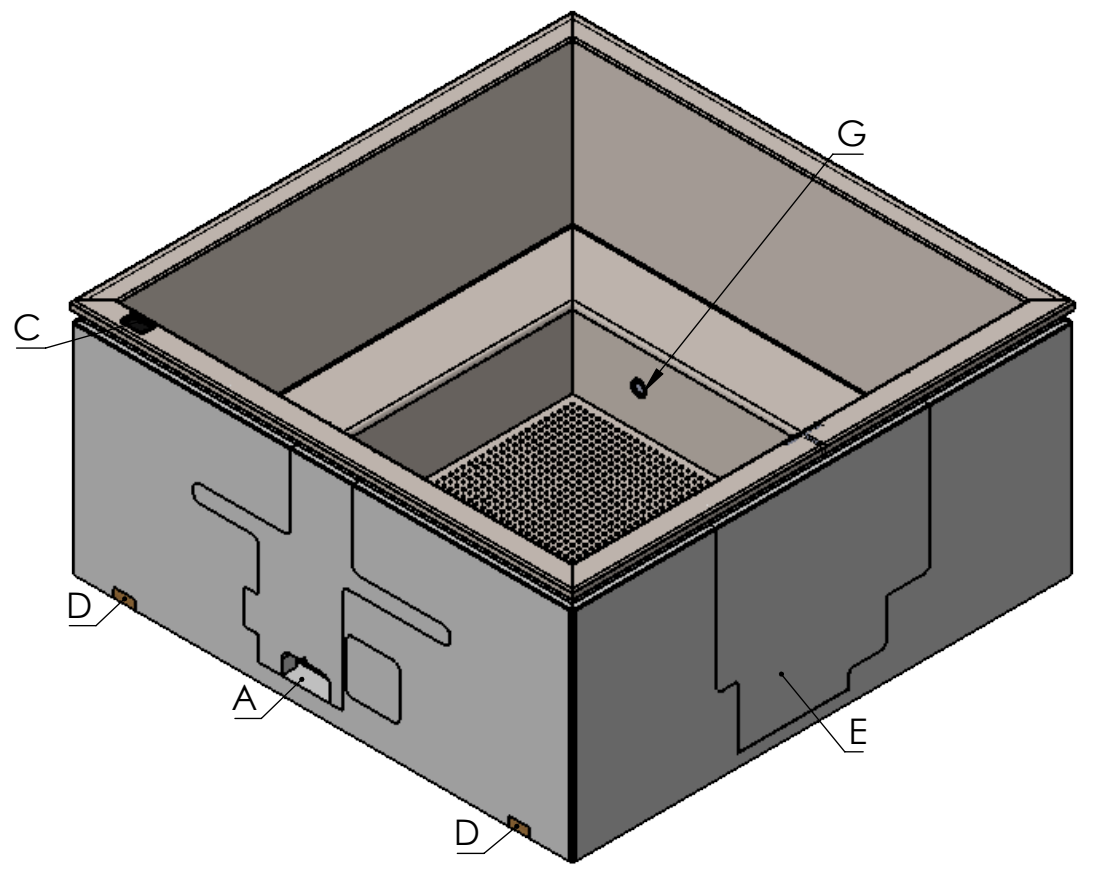
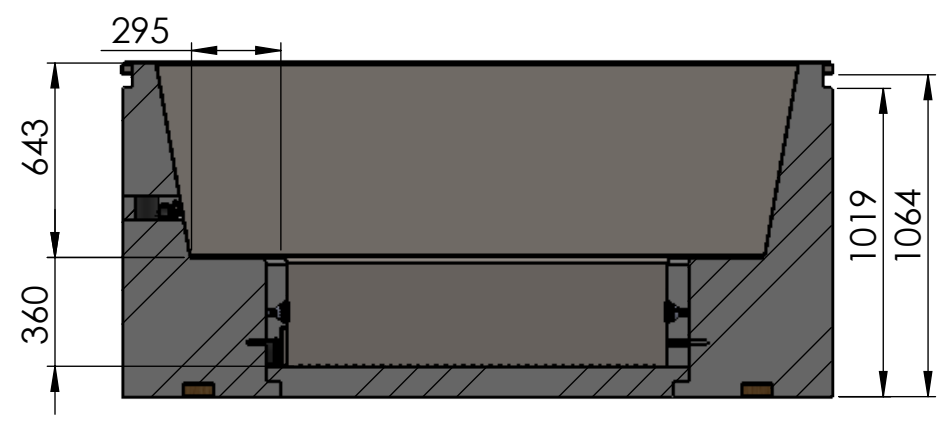
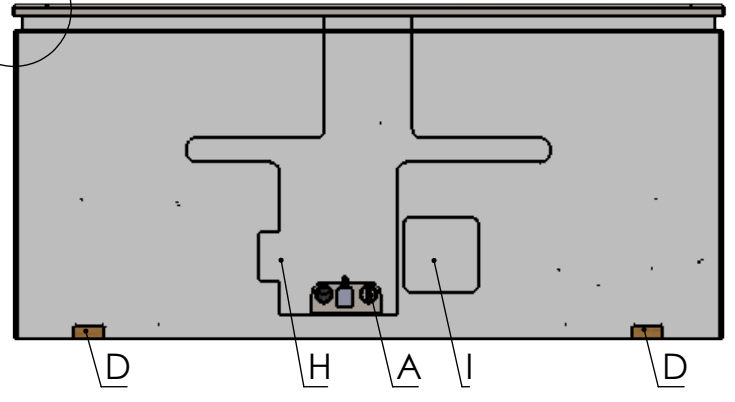
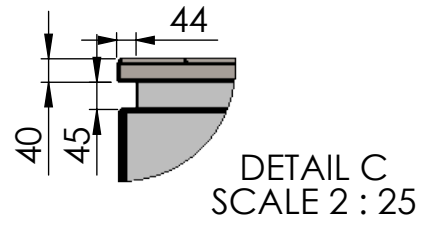
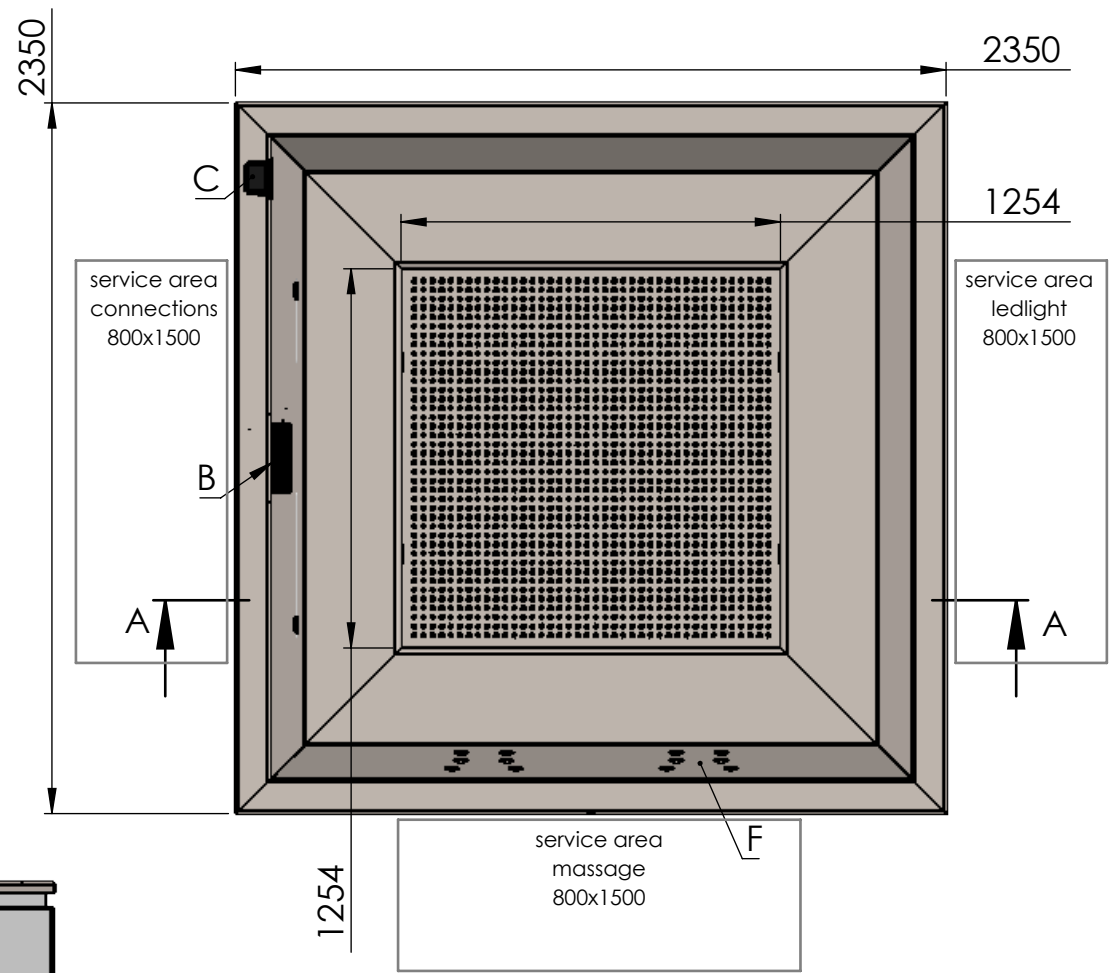


4

3

2

1



- A = connections to filtrationsystem
- B = skimmer
- C =digital display
- D =lifting beams
- E = cover for massage
- F = massage system 6 nozzles/seat
- G = Elsy Slim LED
- H = cover for connections
- I =cover for Slim LED

<h1>ELSY spas</h1>		
description: Integra 2400x2400 2 massage right		
weigh:	345kg	water volume: 3150L
seating capacity:		8-12 people
<small>PROPRIETARY AND CONFIDENTIAL THE INFORMATION CONTAINED IN THIS DRAWING IS THE SOLE PROPERTY OF ELSY SPAS. ANY REPRODUCTION IN PART OR AS A WHOLE WITHOUT THE WRITTEN PERMISSION OF ELSY SPAS IS PROHIBITED.</small>		

4

3

2

1