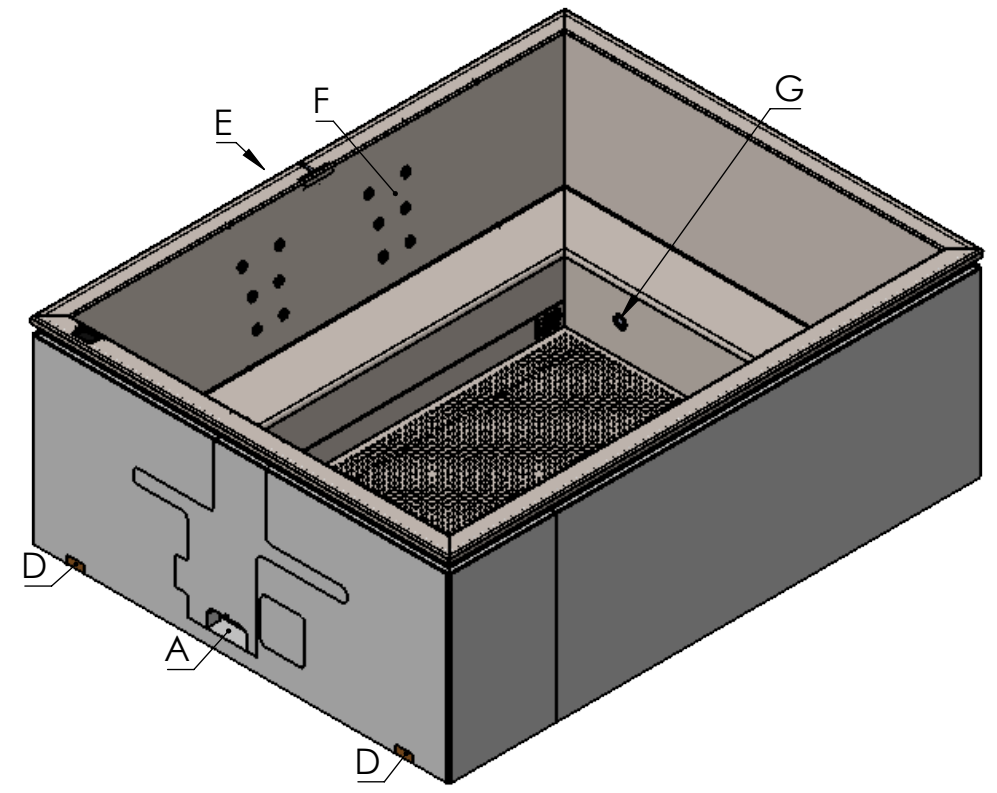
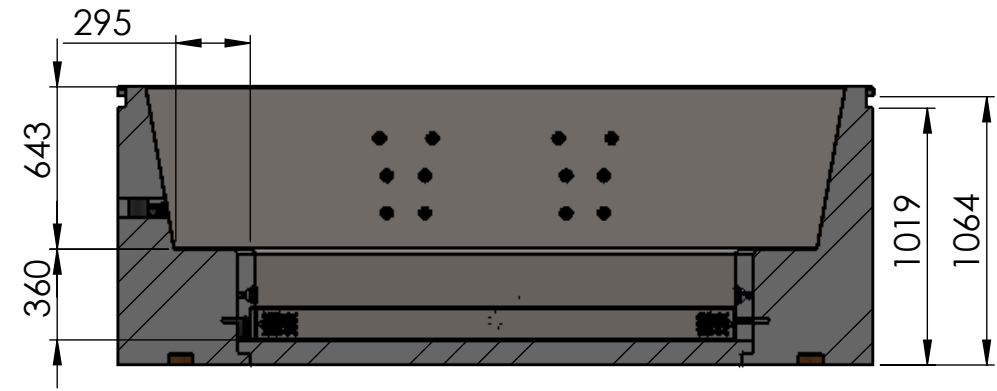
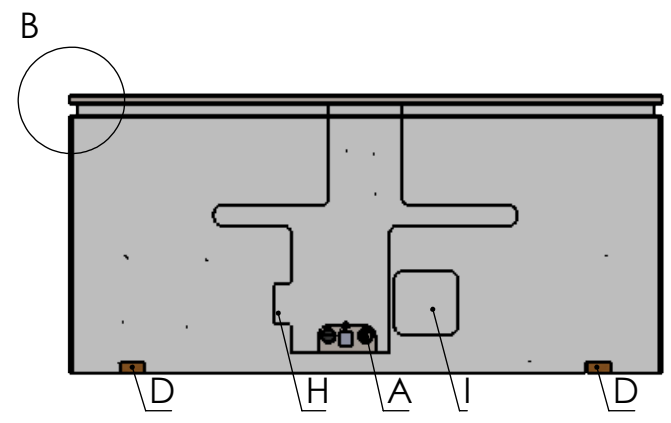
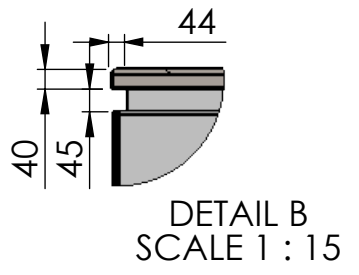
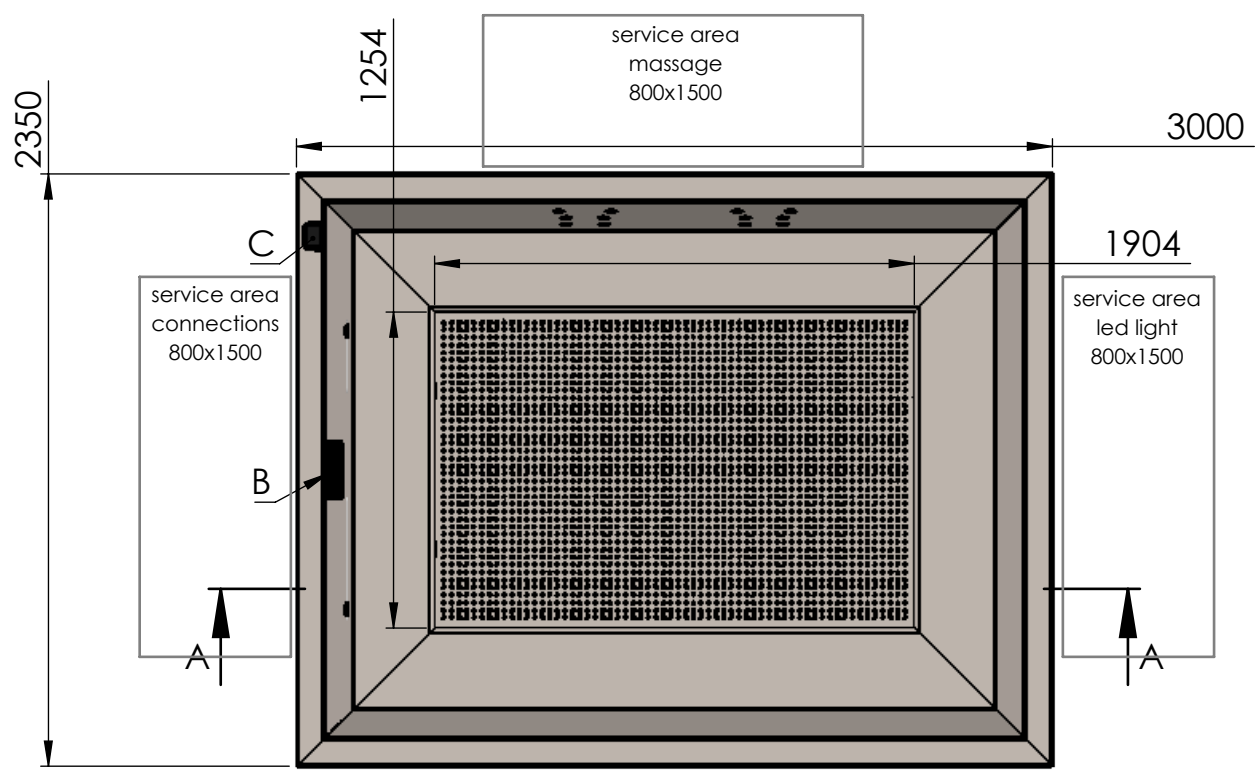


4

3

2

1



SECTION A-A  
SCALE 1 : 30

- A = connections to filtrationsystem
- B = skimmer
- C =digital display
- D =lifting beams
- E = cover for massage
- F = massage system 6 nozzles/seat
- G = Elsy Slim LED
- H = cover for connections
- I =cover for Slim LED

# ELSY spas

description: Integra 2400x3000 2 massage left

weigth: 410kg      water volume: 4300L

seating capacity: 12-14 people

**PROPRIETARY AND CONFIDENTIAL**  
THE INFORMATION CONTAINED IN THIS DRAWING IS THE SOLE PROPERTY OF ELSY SPAS. ANY REPRODUCTION IN PART OR AS A WHOLE WITHOUT THE WRITTEN PERMISSION OF ELSY SPAS IS PROHIBITED.

4

3

2

1