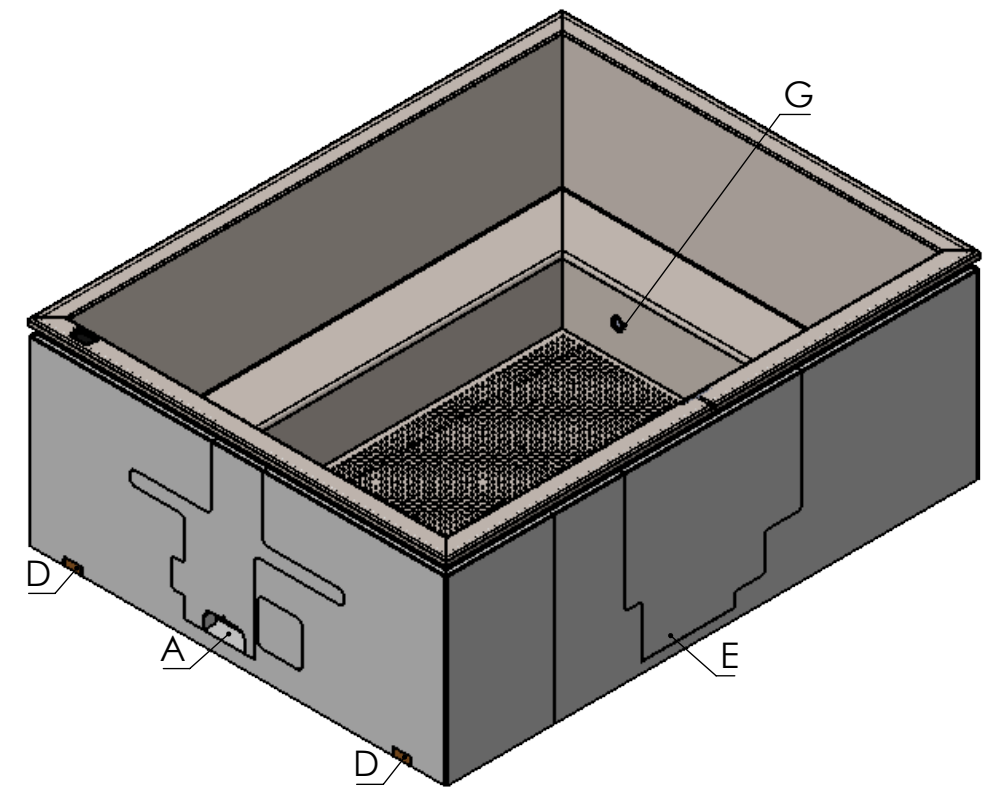
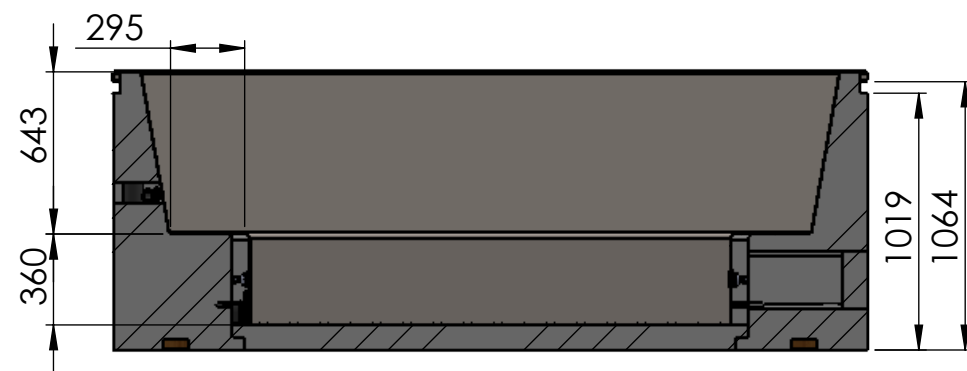
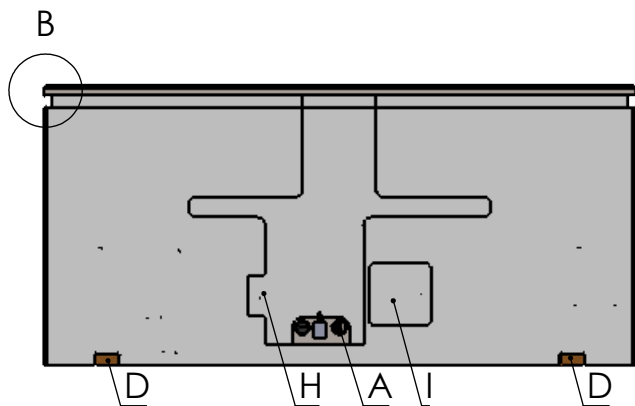
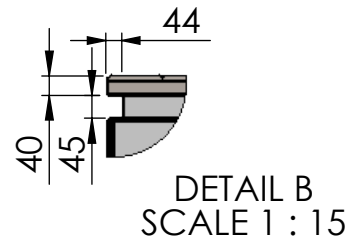
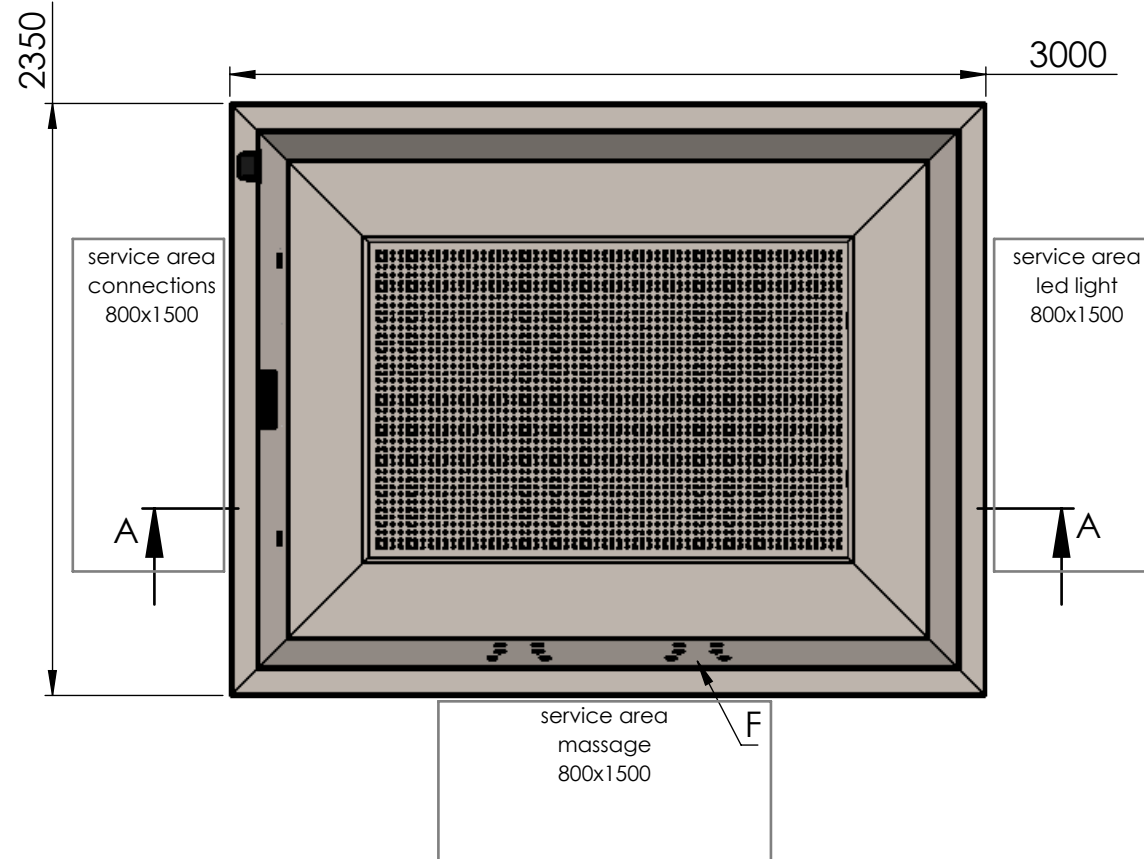


4

3

2

1



B

B

A

A

- A = connections to filtration system
- B = skimmer
- C = digital display
- D = lifting beams
- E = cover for massage
- F = massage system 6 nozzles/seat
- G = Elsy Slim LED
- H = cover for connections
- I = cover for Slim LED

ELSY spas

description: Integra 2400x3000 2 massage right

weight: 395kg water volume: 4300L

seating capacity: 12- 14 people

PROPRIETARY AND CONFIDENTIAL
THE INFORMATION CONTAINED IN THIS DRAWING IS THE SOLE PROPERTY OF ELSY SPAS. ANY REPRODUCTION IN PART OR AS A WHOLE WITHOUT THE WRITTEN PERMISSION OF ELSY SPAS IS PROHIBITED.

4

3

2

1