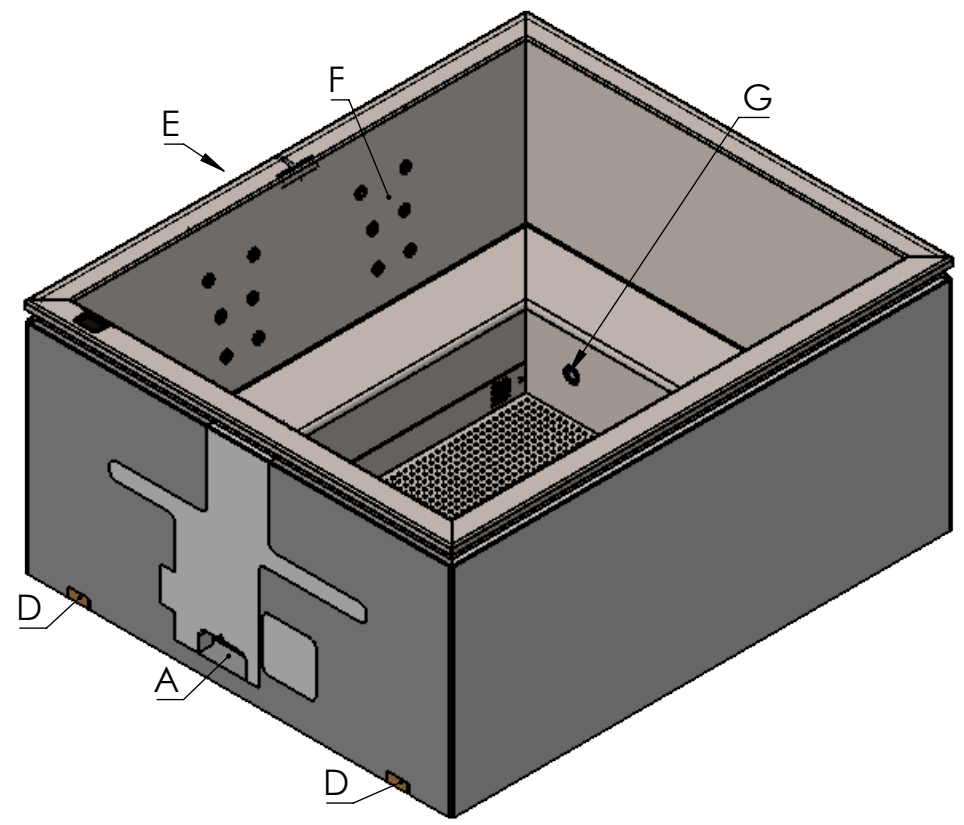
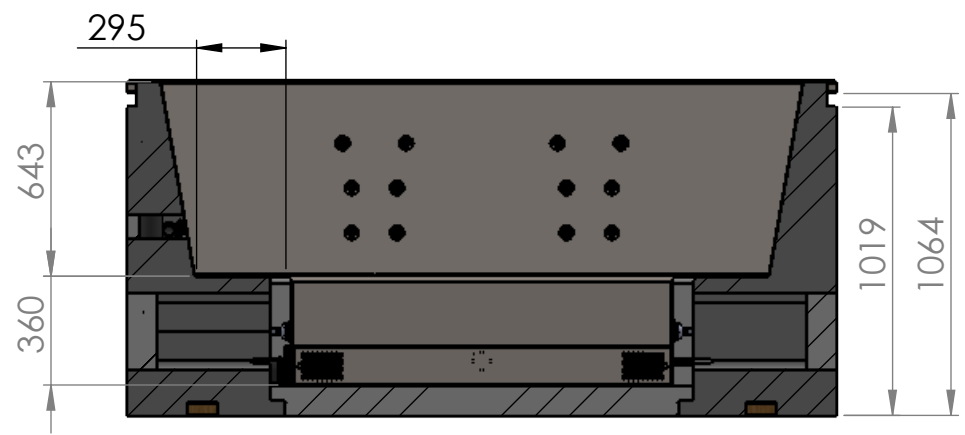
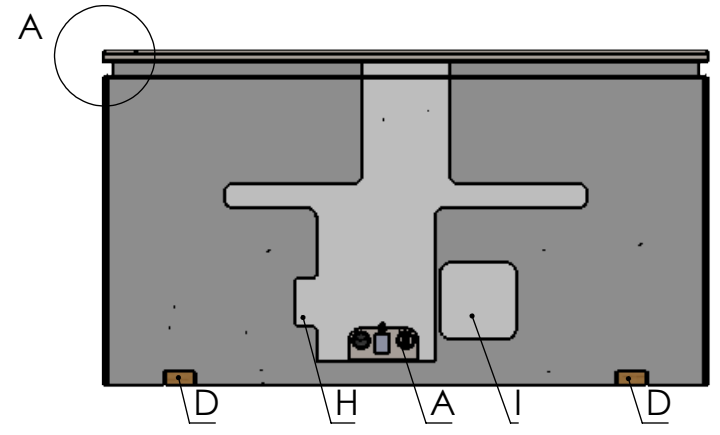
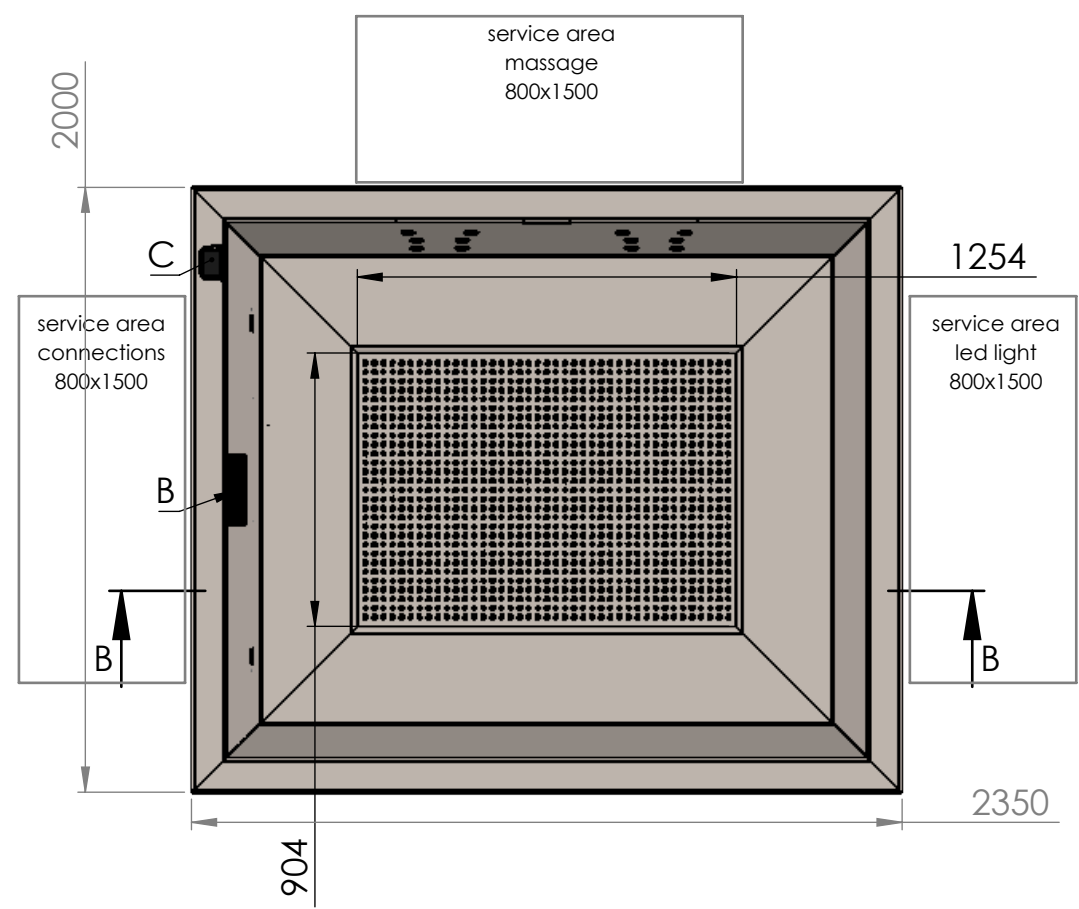
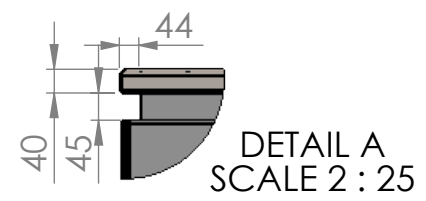


4

3

2

1



B

B

A

A

- A = connections to filtrationsystem
- B = skimmer
- C = digital display
- D = lifting beams
- E = cover for massage
- F = massagesystem 6 nozzles/seat
- G = Ely Slim LED 4pcs
- H = cover for connection side
- I = cover for Slim LED

# ELSY spas

description: Integra 2000x2400 2 massage left

weigth: 285kg      water volume: 2550L

seating capacity: 10 people

**PROPRIETARY AND CONFIDENTIAL**  
THE INFORMATION CONTAINED IN THIS DRAWING IS THE SOLE PROPERTY OF ELSY SPAS. ANY REPRODUCTION IN PART OR AS A WHOLE WITHOUT THE WRITTEN PERMISSION OF ELSY SPAS IS PROHIBITED.

4

3

2

1