

4

3

2

1

2350

1254

service area connections
800x1500

service area led light
800x1500

service area massage
800x1500

2000

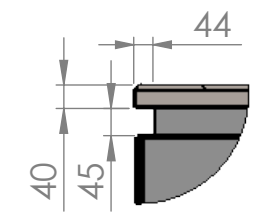
904

295

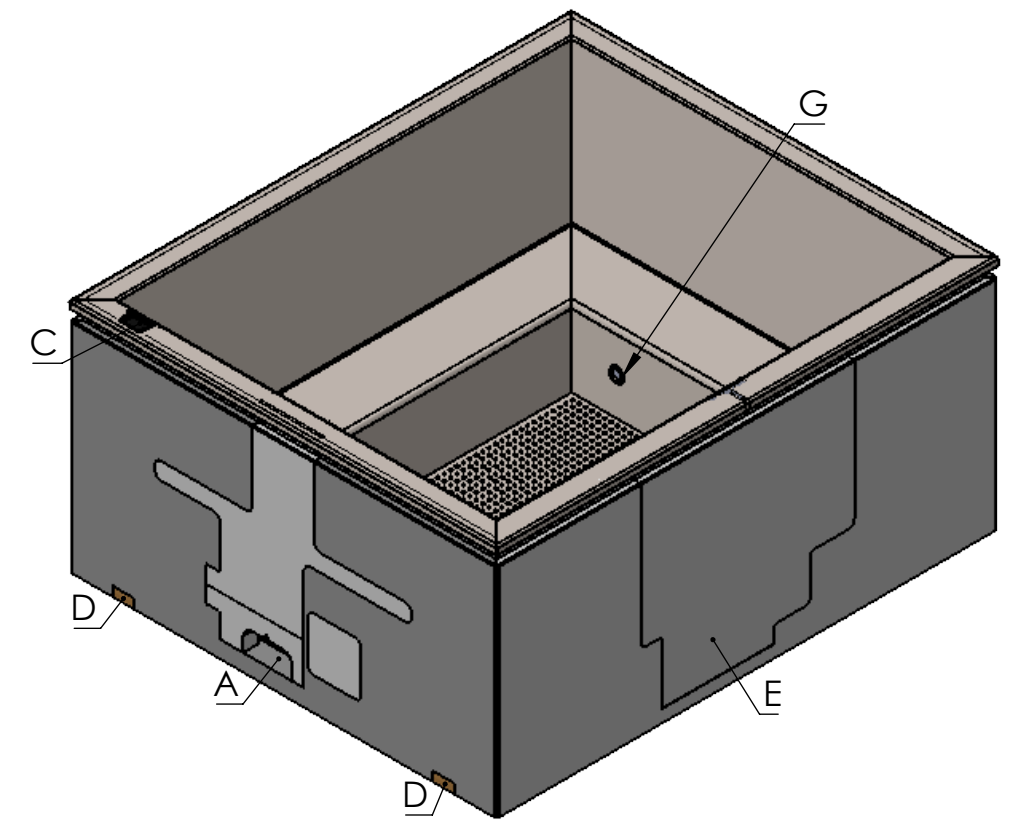
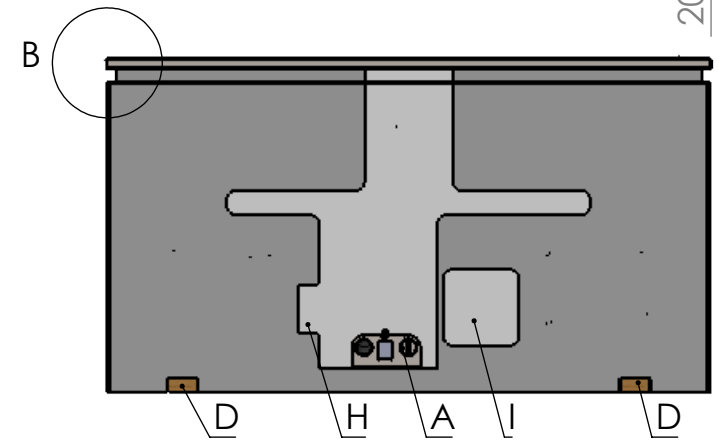
643
360

1019
1064

SECTION A-A
SCALE 1 : 25



DETAIL B
SCALE 2 : 25



B

B

A

A

- A = connections to filtration system
- B = skimmer
- C = digital display
- D = lifting beams
- E = cover for massage
- F = massagesystem 6 nozzles/seat
- G = Elsy Slim LED 4pcs
- H = cover for connection side
- I = cover for Slim LED

ELSY spas

description: Integra 2000x2400 2 massage right

weight:	285kg	water volume:	2550L
---------	-------	---------------	-------

seating capacity: 10 people

PROPRIETARY AND CONFIDENTIAL
THE INFORMATION CONTAINED IN THIS DRAWING IS THE SOLE PROPERTY OF ELSY SPAS. ANY REPRODUCTION IN PART OR AS A WHOLE WITHOUT THE WRITTEN PERMISSION OF ELSY SPAS IS PROHIBITED.

4

3

2

1