

4

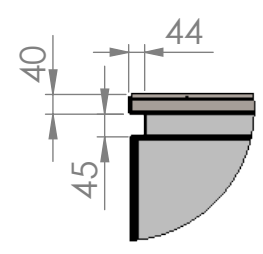
3

2

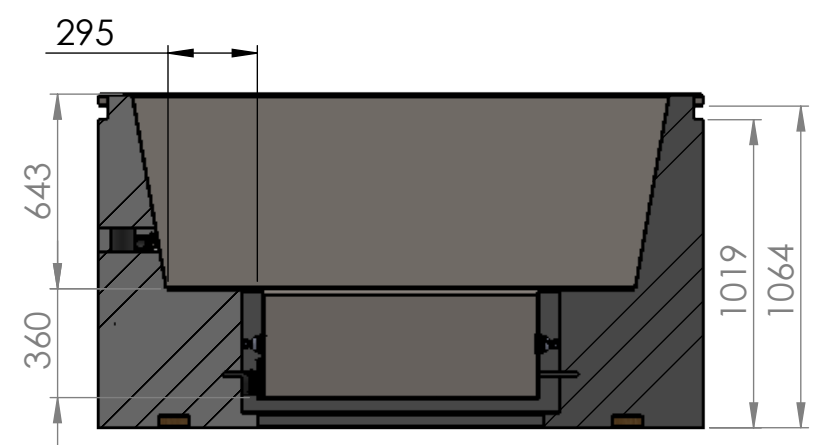
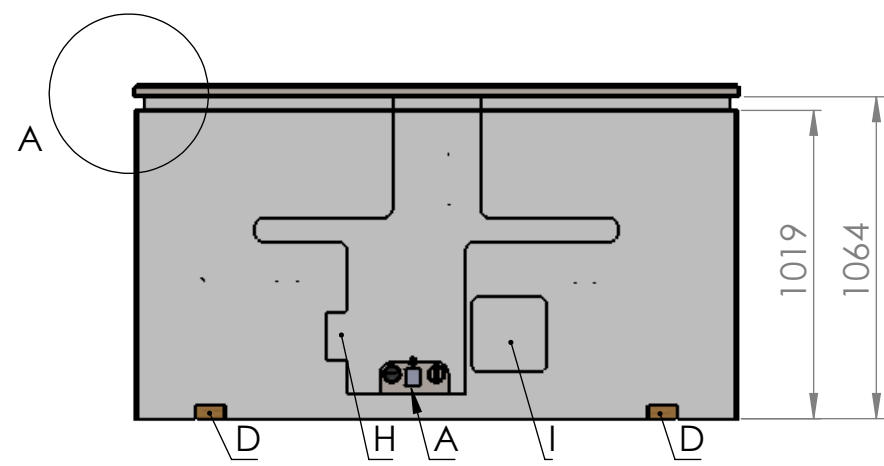
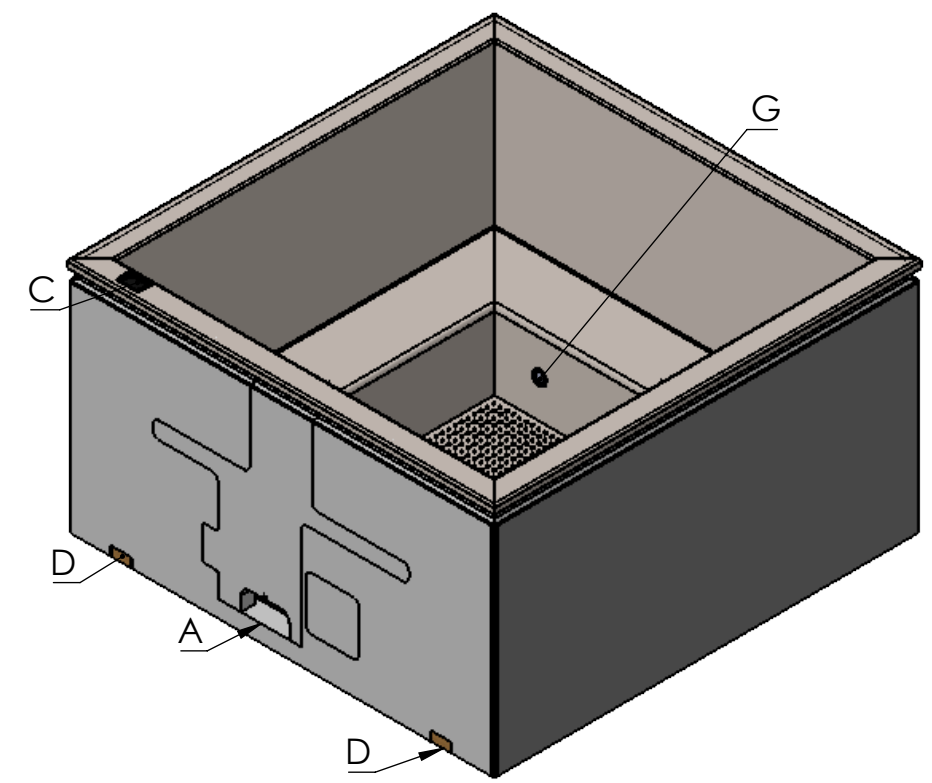
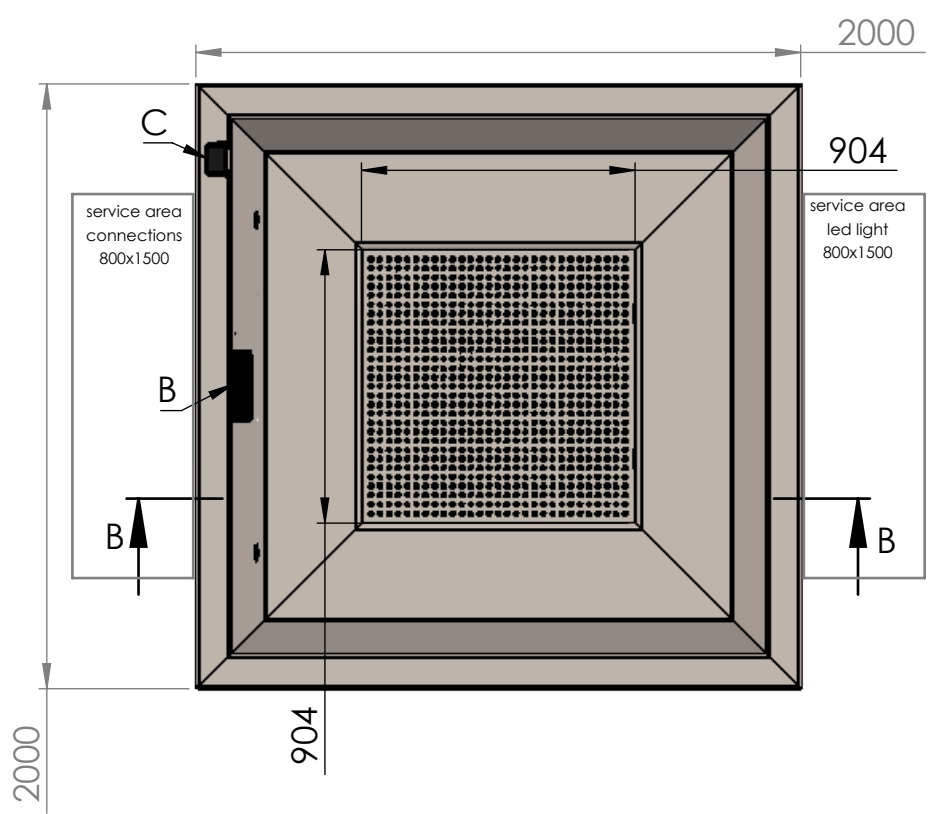
1

B

B



DETAIL A
SCALE 1 : 15



SECTION B-B
SCALE 1 : 25

- A = connections to filtersystem
- B = skimmer
- C = digital display
- D = lifting beam
- G = Elsy Slim led 4pcs
- H = cover for connections
- I = cover for Slim LED

ELSY spas

description:		Integra 2000x2000	
weigh:	210kg	water volume:	2000L
seating capacity:		8 people	

PROPRIETARY AND CONFIDENTIAL
 THE INFORMATION CONTAINED IN THIS DRAWING IS THE SOLE PROPERTY OF ELSY SPAS. ANY REPRODUCTION IN PART OR AS A WHOLE WITHOUT THE WRITTEN PERMISSION OF ELSY SPAS IS PROHIBITED.

4

3

2

1

A

A