

4

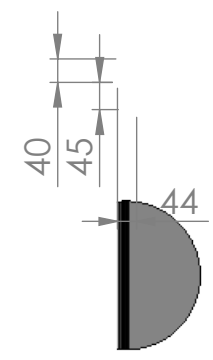
3

2

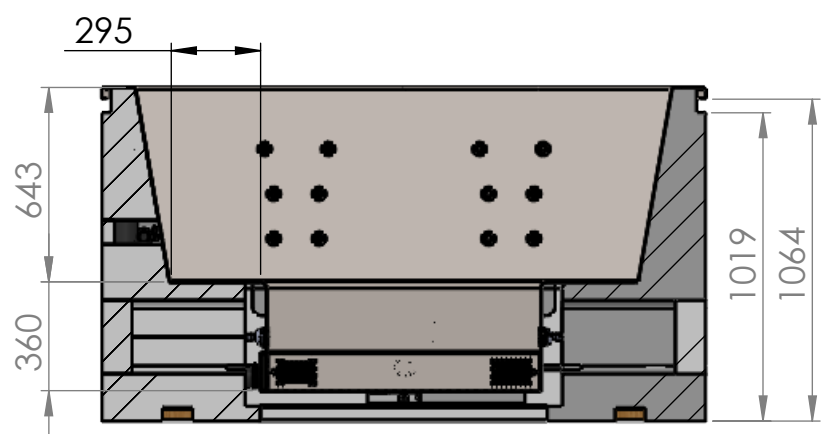
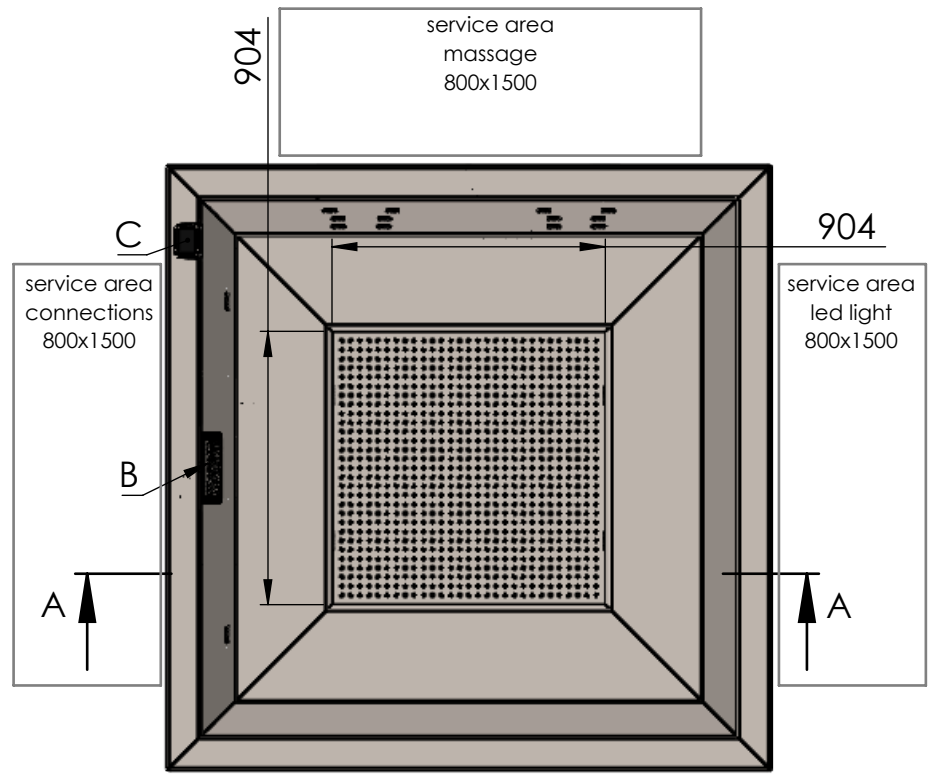
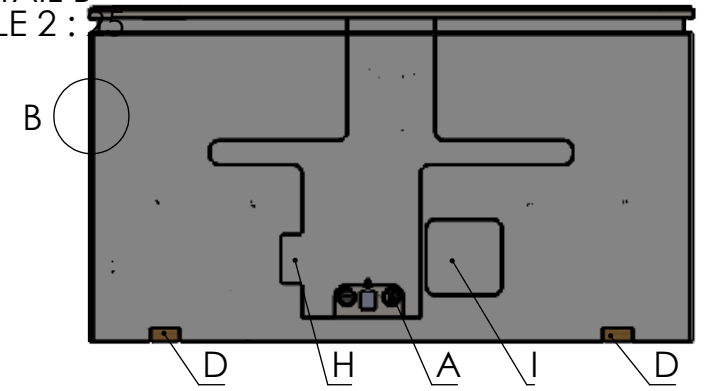
1

B

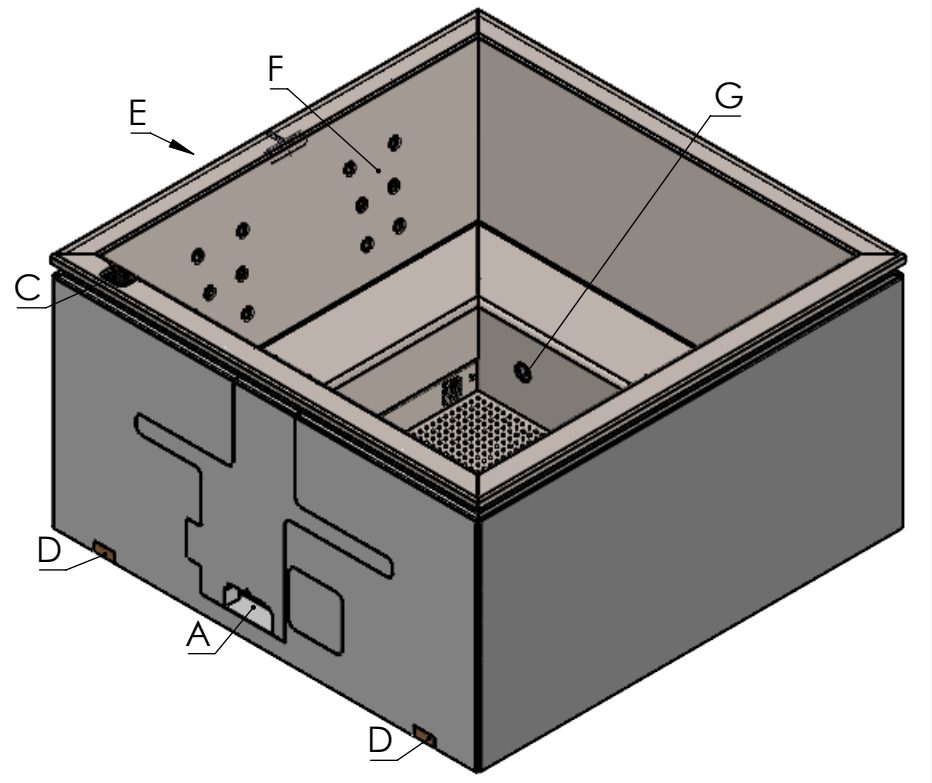
B



DETAIL B
SCALE 2 : 25



SECTION A-A
SCALE 1 : 25



A

A

- A = connections to filtration system
- B = skimmer
- C = digital display
- D = lifting beams
- E = cover for massage system
- F = massage system 6 nozzles/seat
- G = Elsy Slim LED 4pcs
- H = cover for connection side
- I = cover for Slim LED

ELSY spas

description: Integra 2000x2000 2 massage left

weight: 225kg

water volume: 2000L

seating capacity: 8 people

PROPRIETARY AND CONFIDENTIAL
 THE INFORMATION CONTAINED IN THIS DRAWING IS THE SOLE PROPERTY OF ELSY SPAS. ANY REPRODUCTION IN PART OR AS A WHOLE WITHOUT THE WRITTEN PERMISSION OF ELSY SPAS IS PROHIBITED.

4

3

2

1