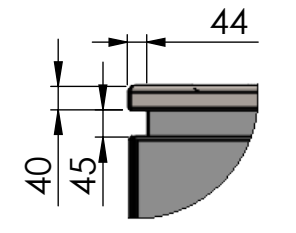
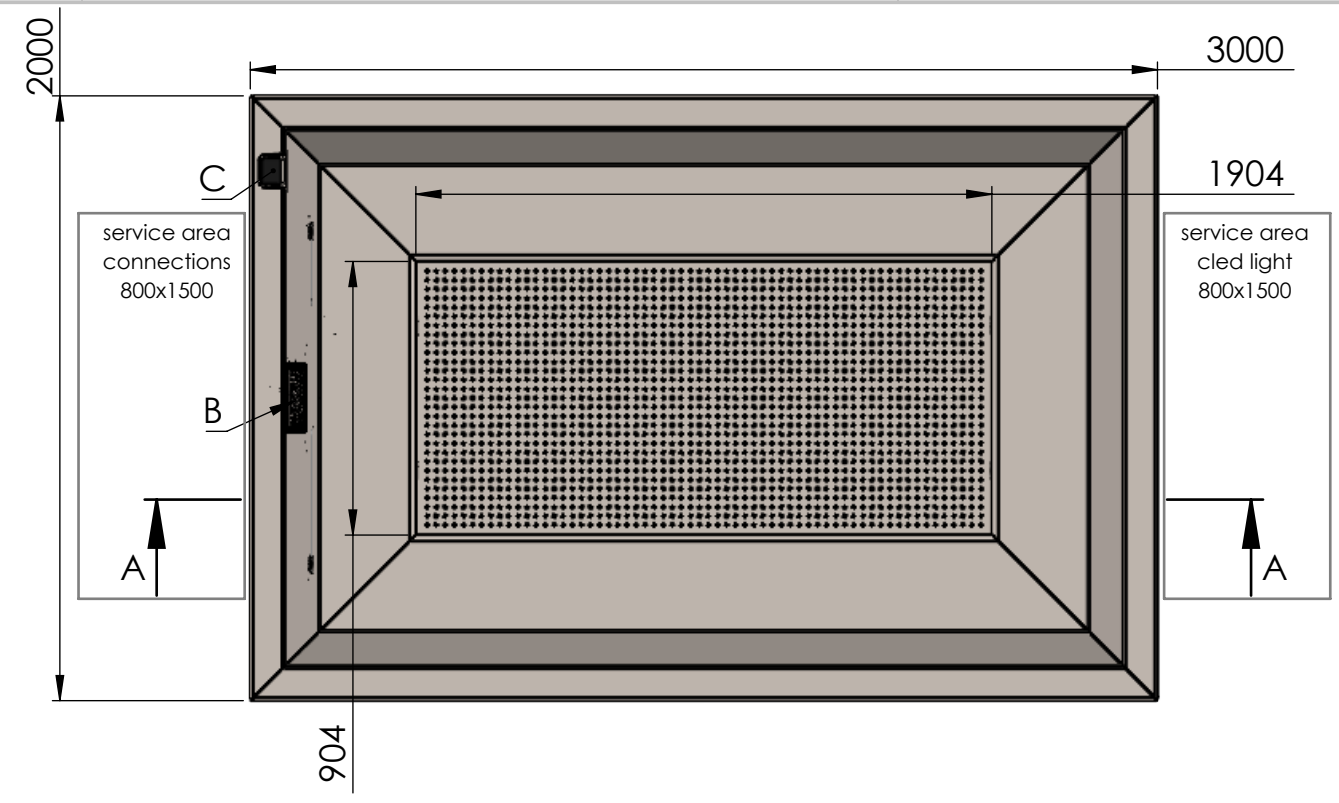


4

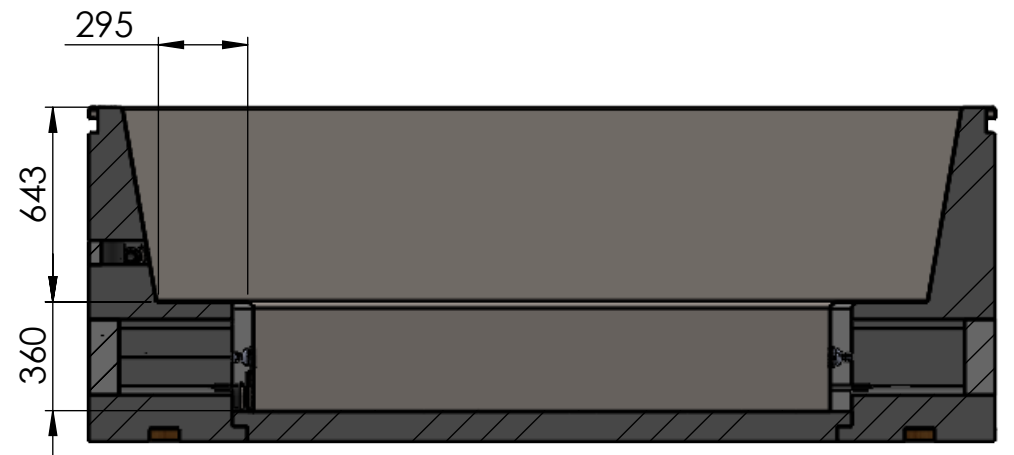
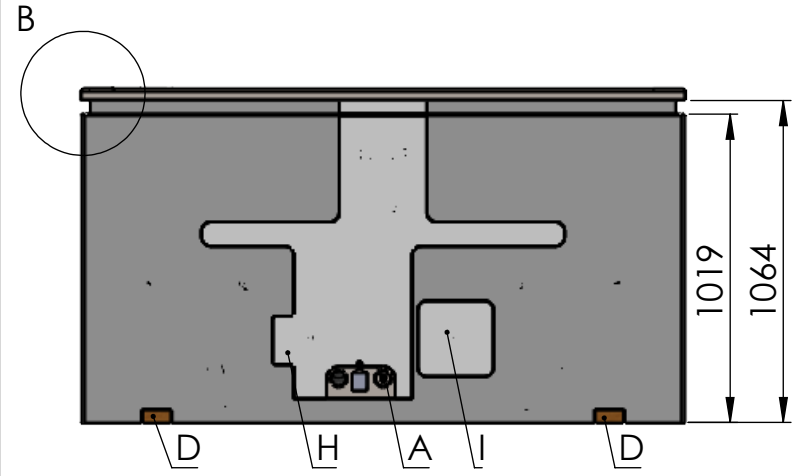
3

2

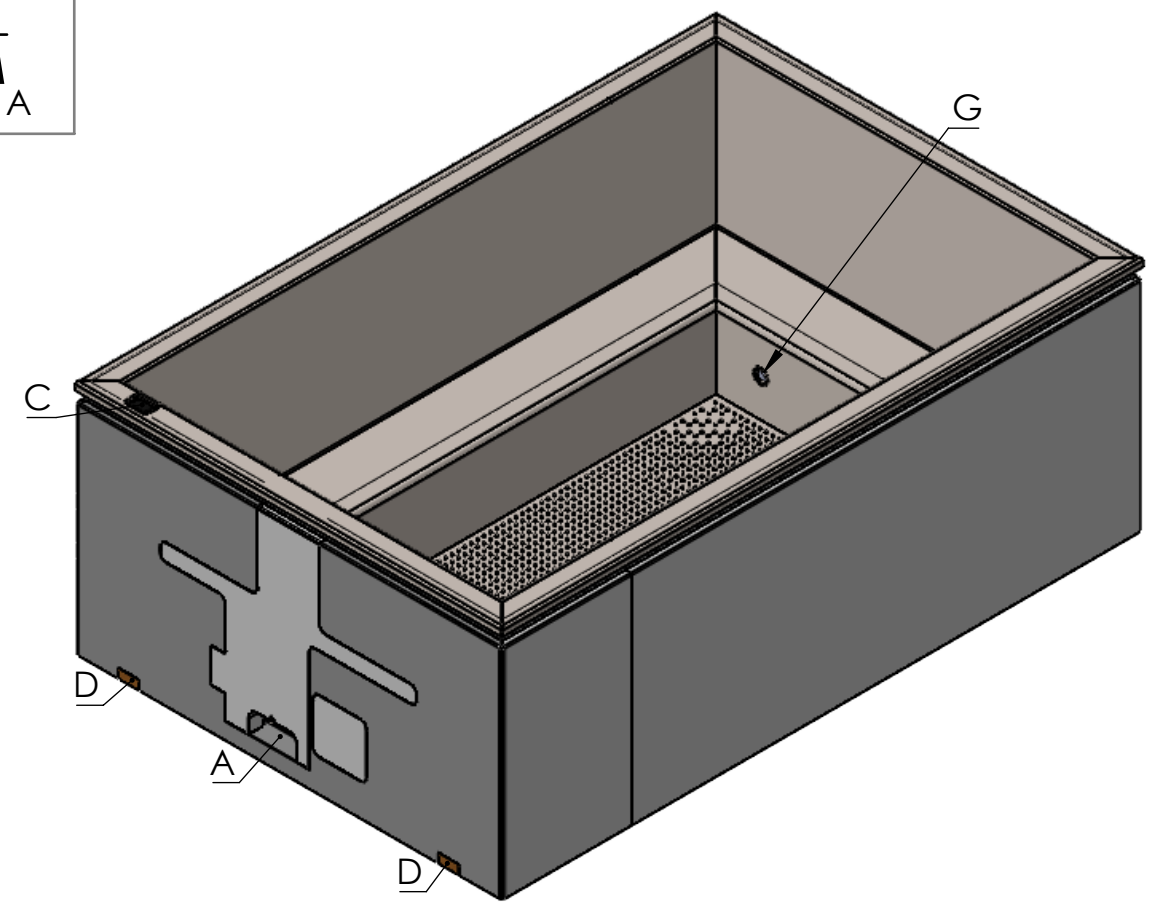
1



DETAIL B
SCALE 2 : 25



SECTION A-A
SCALE 1 : 25



- A = connections to filtrationsystem
- B = skimmer
- C = digital display
- D = lifting beams
- G = Elsy Slim LED
- H = cover for connections
- I = cover for Slim LED

ELSY spas

description:		Integra 2000x3000	
weigh:	345kg	water volume:	3500L
seating capacity:		10-12 people	

PROPRIETARY AND CONFIDENTIAL
THE INFORMATION CONTAINED IN THIS DRAWING IS THE SOLE PROPERTY OF ELSY SPAS. ANY REPRODUCTION IN PART OR AS A WHOLE WITHOUT THE WRITTEN PERMISSION OF ELSY SPAS IS PROHIBITED.

4

3

2

1