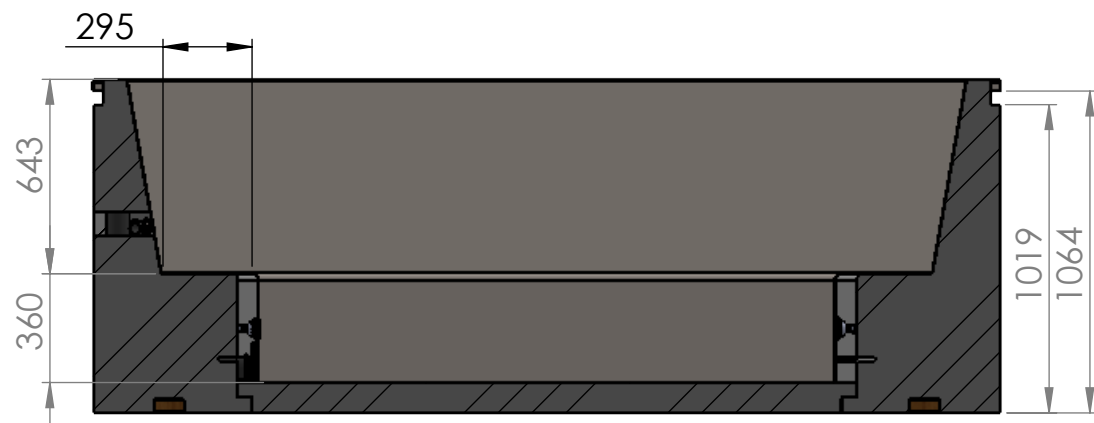
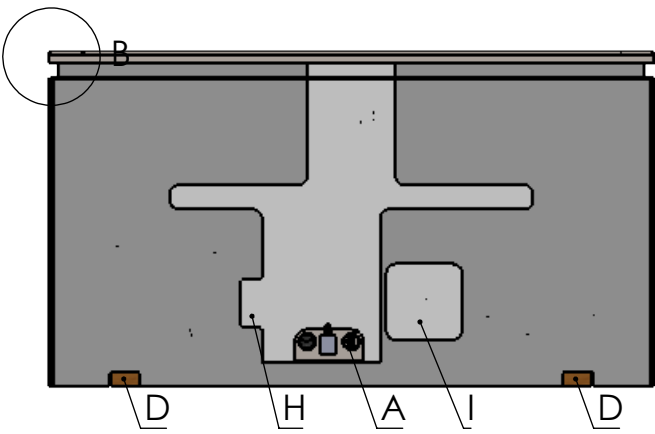
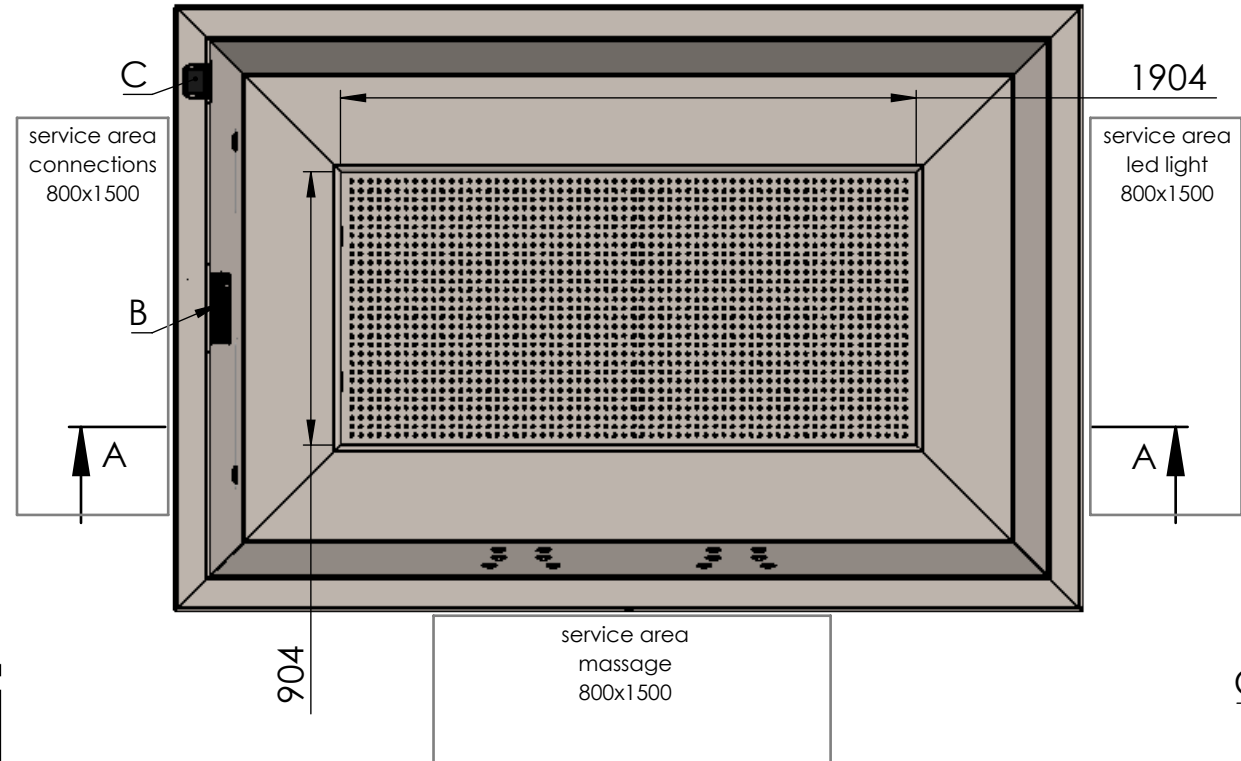
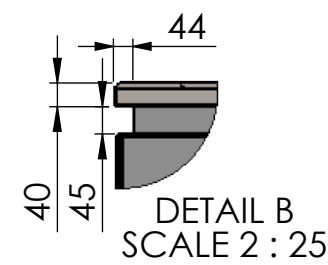


4

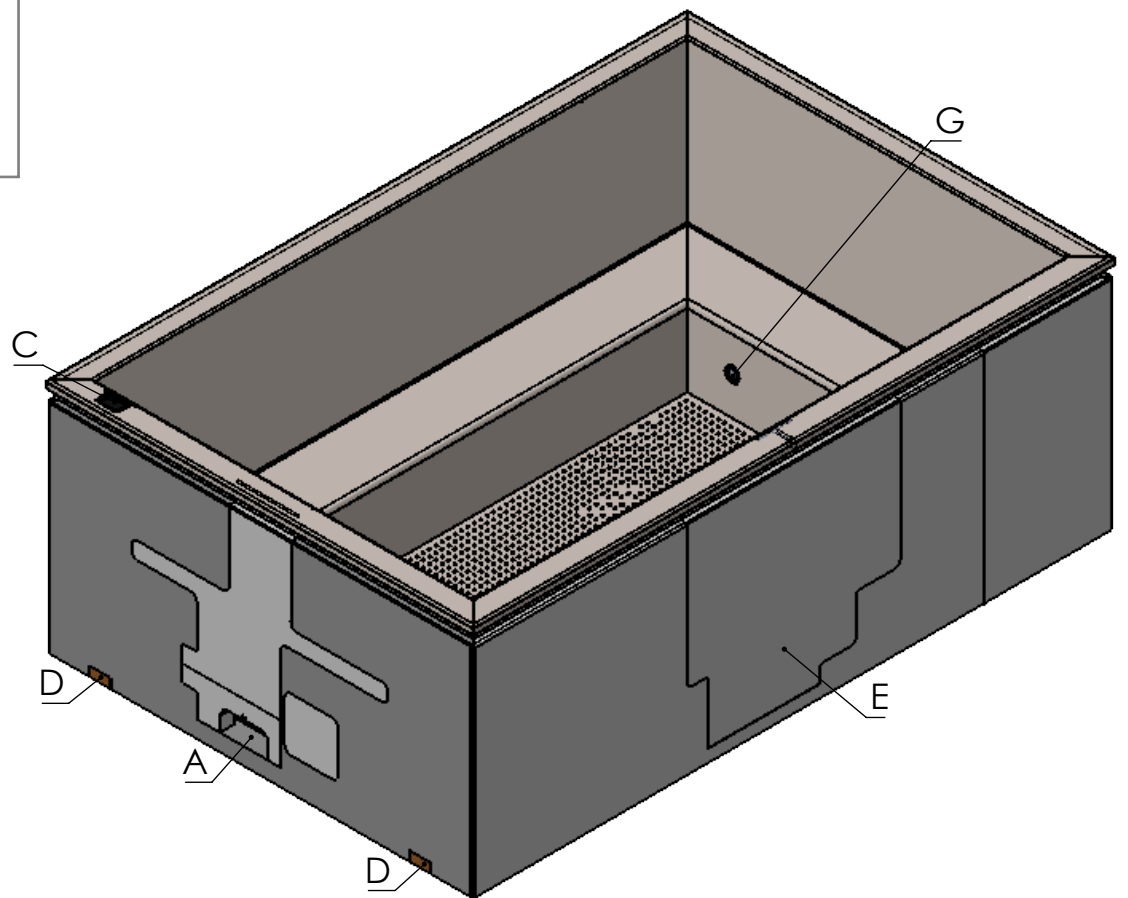
3

2

1



SECTION A-A
SCALE 1 : 25



- A
- A = connections to filtration system
 - B = skimmer
 - C = digital display
 - D = lifting beams
 - E = cover for massage
 - F = massagesystem 6 nozzles/seat
 - G = Elsy Slim LED 4pcs
 - H = cover for connection side
 - I = cover for Slim LED

<h1>ELSY spas</h1>		
description: Integra 2000x3000 2 massage right		
weigh:	345kg	water volume: 3500L
seating capacity:		10-12 people
<small>PROPRIETARY AND CONFIDENTIAL THE INFORMATION CONTAINED IN THIS DRAWING IS THE SOLE PROPERTY OF ELSY SPAS. ANY REPRODUCTION IN PART OR AS A WHOLE WITHOUT THE WRITTEN PERMISSION OF ELSY SPAS IS PROHIBITED.</small>		

4

3

2

1

B

A